

# WCDMA ULTRA F-B Panel Antenna

1920 ~ 2170 MHz / 20 dBi

IMT-BS-S20

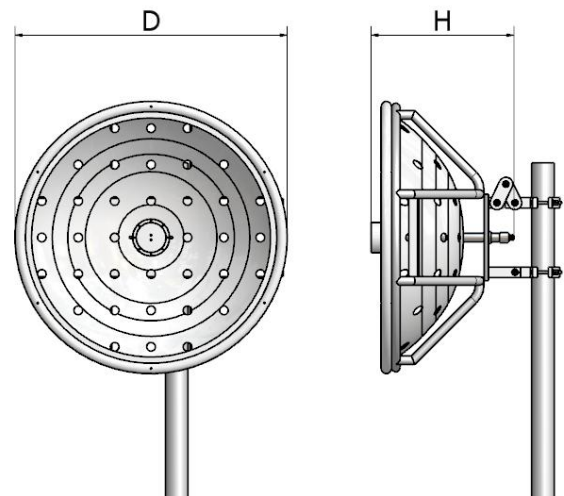
## i. Electrical Specification

Frequency Range	1920 ~ 2170 MHz	
Polarization	Vertical	
Band Width	250 MHz	
Gain	≥ 20 dBi	
Beam width	Horizontal	≥ 12° ± 3°
	Vertical	≥ 15° ± 3°
F-B ratio	Horizontal	≥ 35 dB @ 180 ± 90°
	Vertical	≥ 35 dB @ 180 ± 90°
Sidelobe	≥ 18 dB	
VSWR	1 : 1.5	
Impedance	50 Ω	
Maximum input power	≤ 100 W	

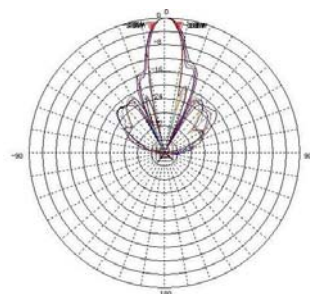


## ii. Mechanical Specification

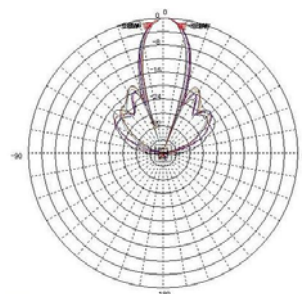
Radom Dimension ( D x H )	Ø800 x 400 mm
Weight ( Include bracket )	9 kg
Connector Type	N – Female
Withstand Wind Pressure	60 m/sec
Radome Material	FRP
Radome Color	Gray
Mechanical Down Tilt	
Temperature	-40 °C ~ 70 °C
Packing Size ( H x W x D ) SET	-
Packing Weight SET	-



## iii. Radiation Pattern



Horizontal Pattern



Vertical Pattern